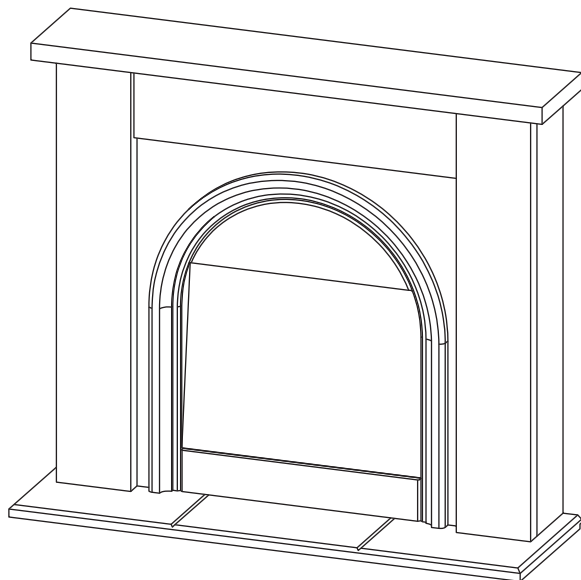


ELECTRIC FIREPLACE SUITE

TOOLS REQUIRED

- Stubby Crosshead Screwdriver
- Drill & 6mm Drill Bit
- Pencil/Pen



*Image for illustrative purposes only.

FIXINGS PACK

4x Small Screw



4x Screw



2x Large Screw



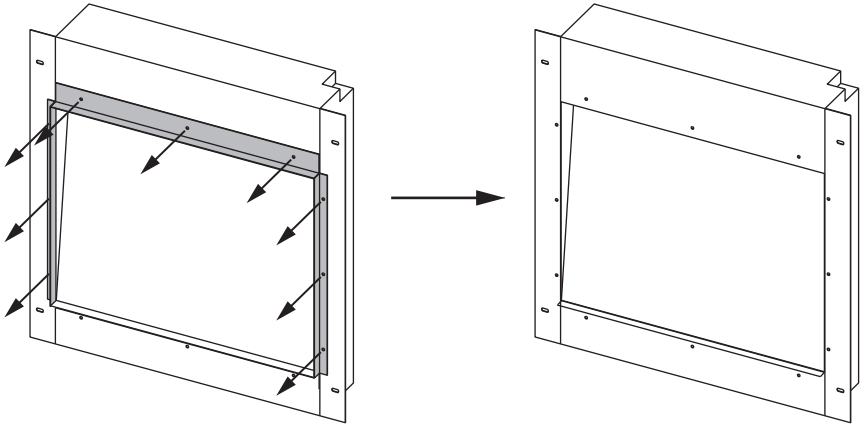
2x Wall Plugs



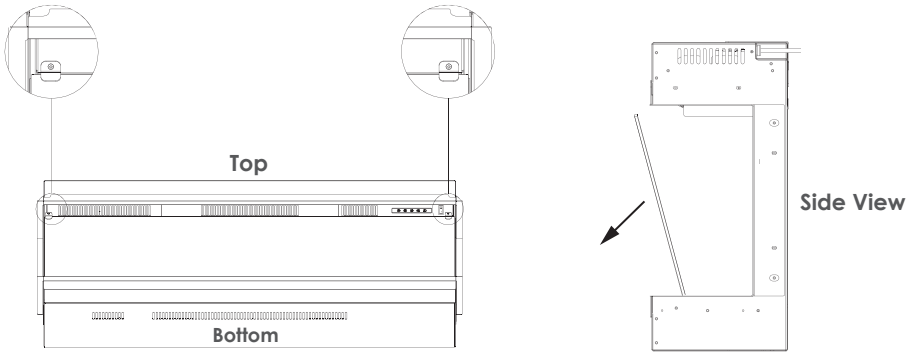
2x Mirror Clips



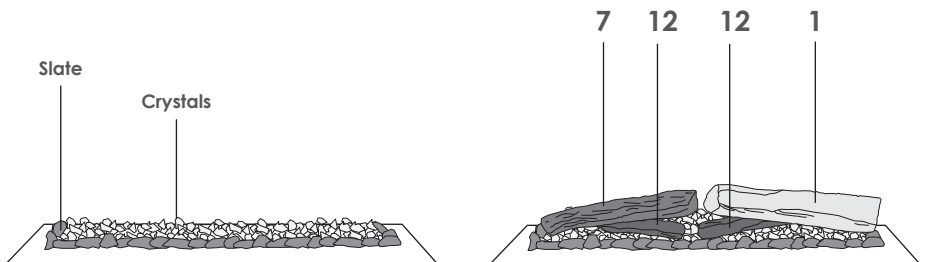
- 1.** Remove the top and side brackets from the front of the fire.



- 2a.** Remove the 2 x small brackets as shown and remove the front glass panel



- 2b.** Position the logs as shown. The log set for this fireplace are supplied separate to the fire.

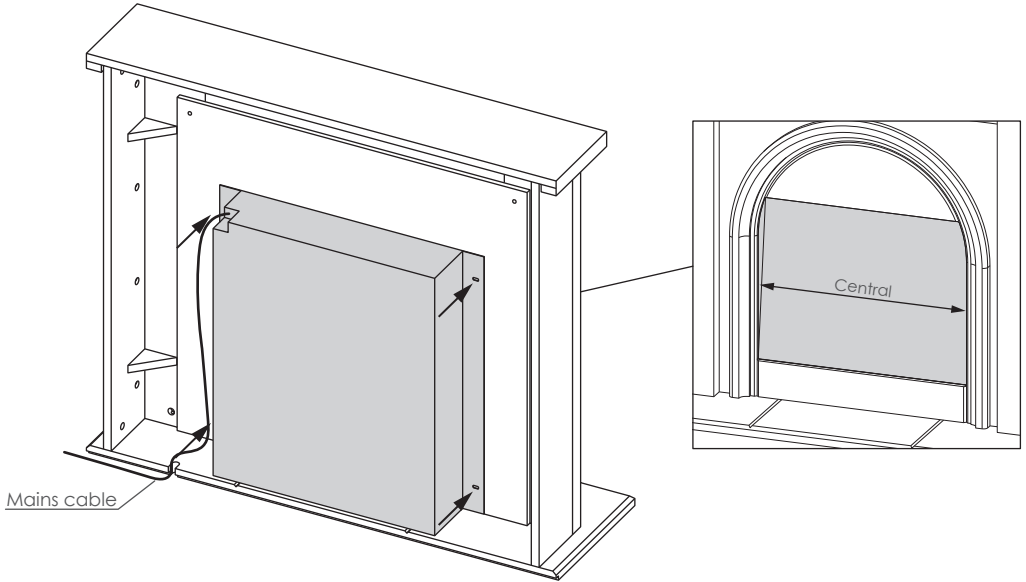


3.

Small Screw

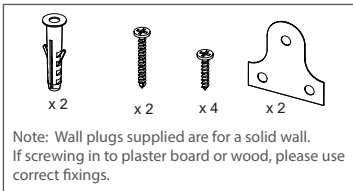


Carefully position the fire into the surround from the back.
Fix the fire using the 4 x small screws provided, ensure it is central to the back panel opening.

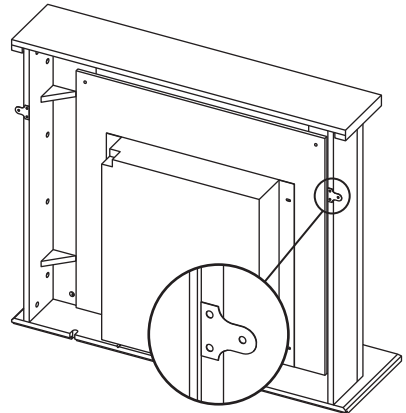


INSTALLING the fireplace

Fixing kit supplied with fireplace suites only



1. Fix the metal plate to the back of the fireplace as shown using the 4 x small screws supplied.
(It is recommended to drill a 2mm pilot hole to prevent the wood splitting.)
2. Position the fireplace to the wall and mark through the 2 remaining holes.
3. Remove the fireplace then drill 6mm diameter holes approximately 35mm deep. Insert the wall plugs.
4. Position the fireplace to the wall then screw through the plates in to the wall using the 2 x large screws provided.



GUARANTEE


For your convenience, you are not required to complete a form and return it to us in order to validate your guarantee. However, please ensure that you retain your receipt which will act as both proof of purchase and a guarantee validation document. **We recommend that you attach your receipt to this documentation.**

Your product carries a 12 month guarantee from the date of original purchase (or as otherwise provided in writing at point of purchase). If your product fails to operate to its specification, due to faulty workmanship or materials during the guarantee period, we will either repair or replace the product. We will use our discretion to determine whether to offer a repair or provide a replacement. The product will not be covered by the guarantee if it has been misused, transformed, modified or altered in any way.

If your product fails within the guarantee period please ensure that you have all necessary documentation available including proof of purchase (receipt or invoice with serial number, location and date of purchase) in addition to all original undamaged packaging and leaflets etc. It is strongly recommended that you inspect your product carefully before it is used or installed. For full details of your product you should refer to the instruction manual which accompanies the product. You are strongly advised to read this manual carefully in its entirety and to retain it for future reference.

This product guarantee does not affect your statutory rights.

CUSTOMER HELPLINE

 +44 (0) 3300 882 069

 customer.support@firedupcorporation.com



www.firedupcorporation.com

Fired Up Corporation Ltd
Fired Up Buildings
HD1 3LF, UK

Fired Up Corporation
(Ireland) Ltd
71, D02 P593, Dublin
